



Synergy3Dsolutions

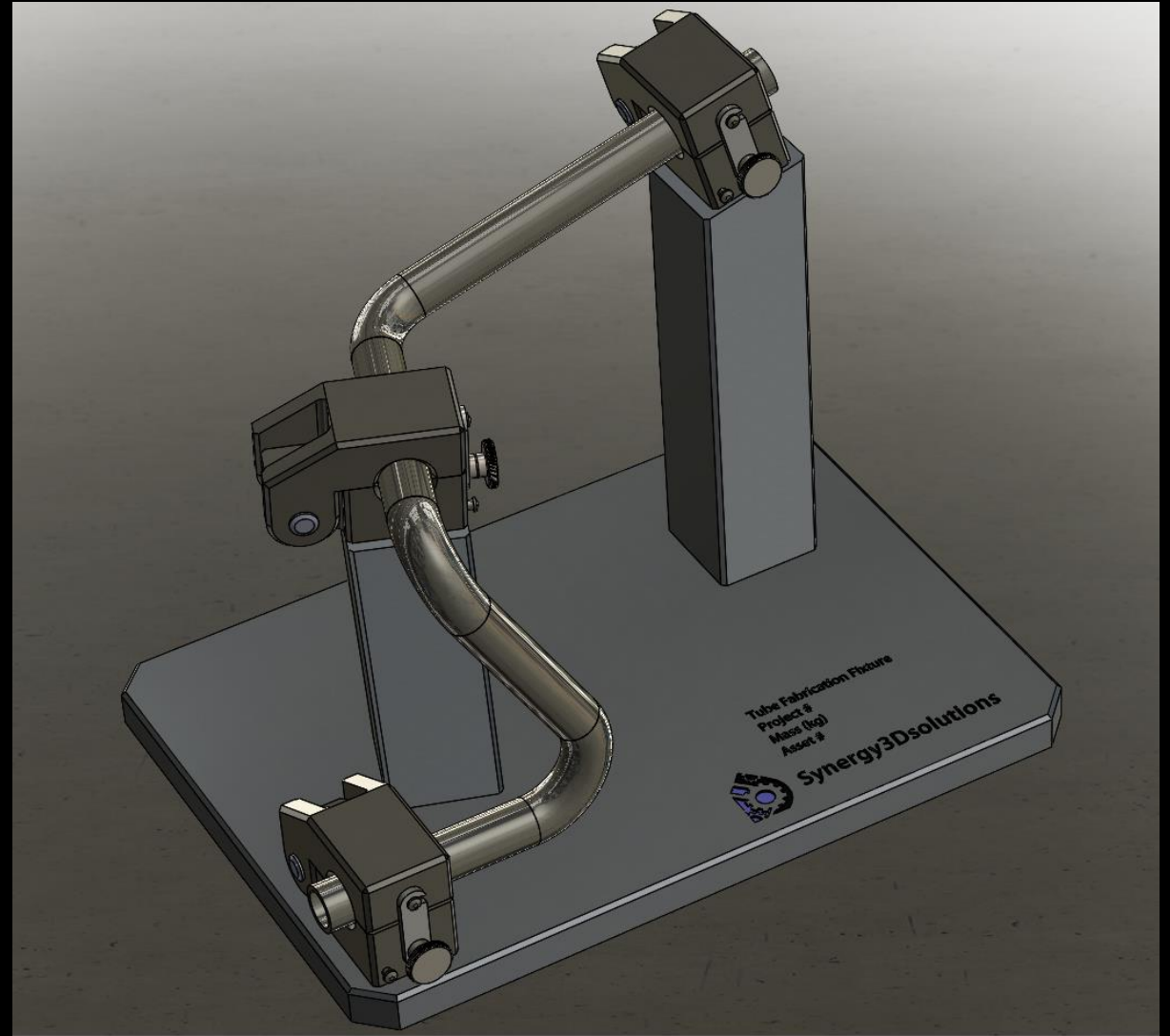
MECHANICAL DESIGN SERVICES



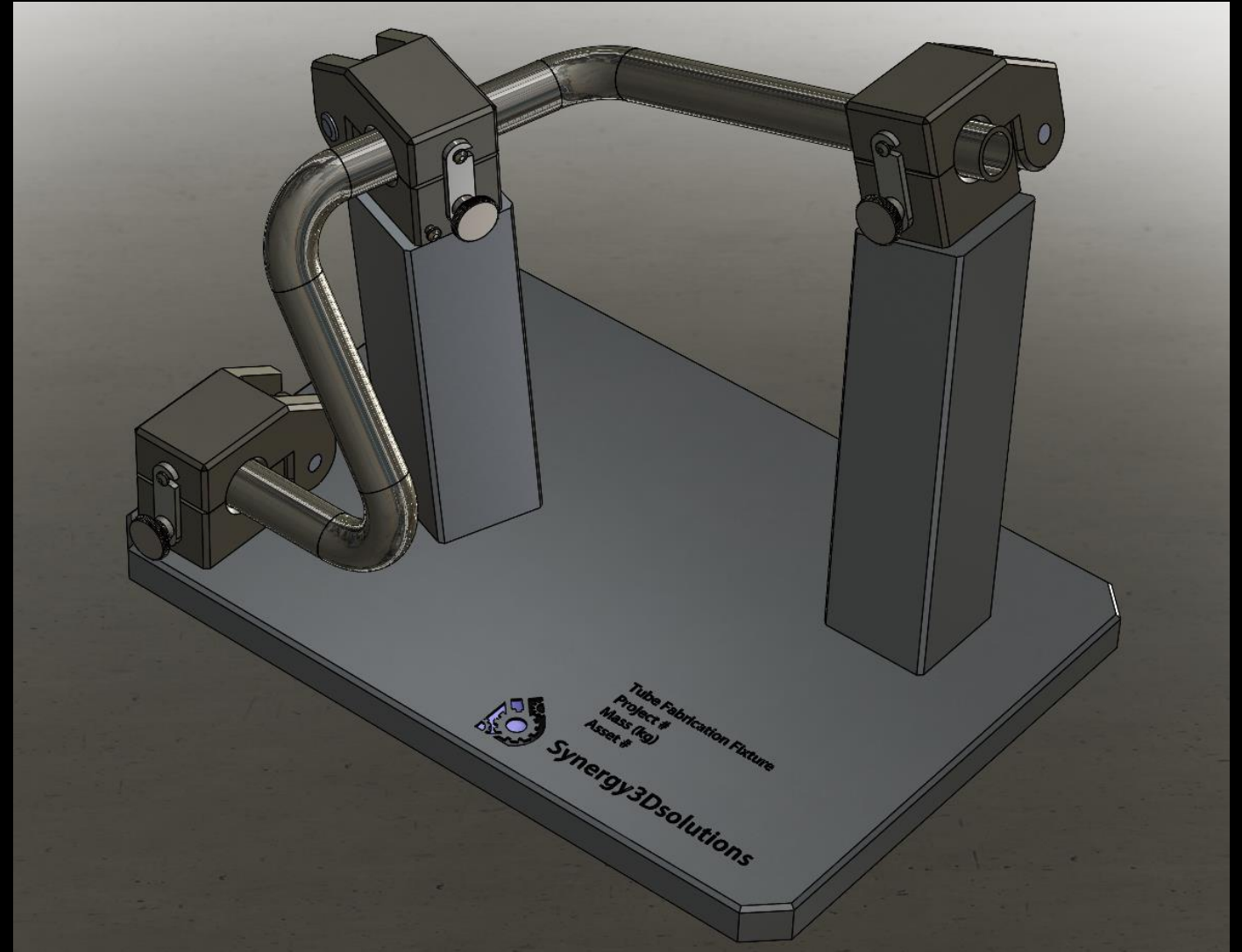
FIXTURE DESIGN

Working with our customers we can create any fixtures to suit your product and machine requirements -Whatever the process we have a solution.

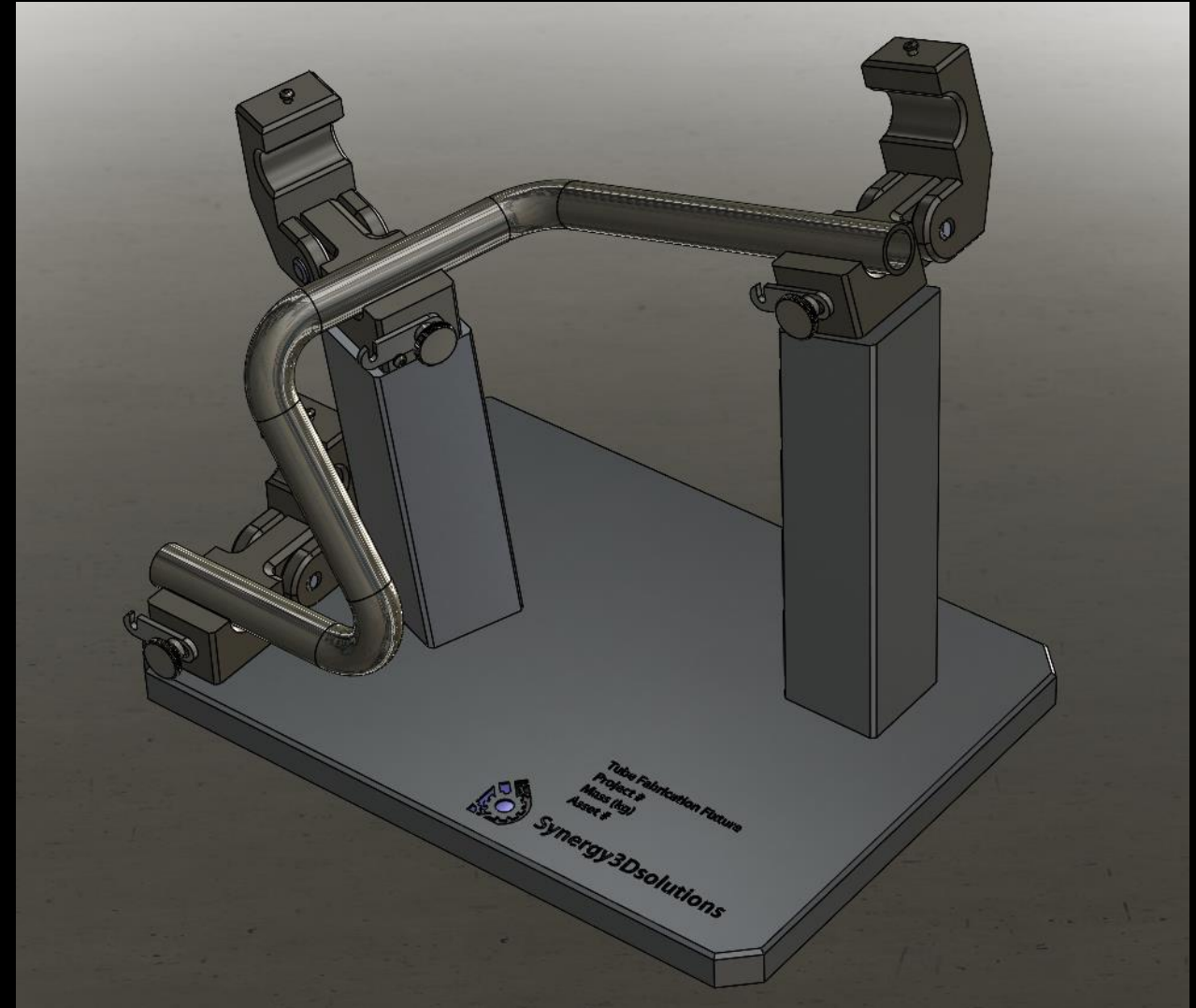
FIXTURE DESIGN



FIXTURE DESIGN



FIXTURE DESIGN



A detailed 3D CAD model of a mechanical fixture, rendered in a dark grey color. The fixture consists of a vertical support column on the right, a horizontal base at the bottom, and a complex assembly of arms and joints. A prominent feature is a curved arm that extends from the base, bends at a 90-degree angle, and then curves back towards the top. Various components like bearings, rollers, and adjustment knobs are visible, suggesting a precision instrument or a specialized workholding device.

FIXTURE DESIGN

MANUFACTURE

At Synergy we can offer a full turnkey package –

- Design for Manufacture including Drawing Package.
- Supply Manufactured Items as required.
- Assembly as required.



Synergy3D Solutions

TO DISCUSS YOUR REQUIREMENTS

WWW.SYNERGY3DSOLUTIONS.CO.UK/CONTACT